

### Features

- Quad-core ARM 64bit A53@1.8GHz Processor
- 1GB DDRL3L System Memory
- 32MB NOR Flash, 256MB NAND Flash
- Supports Dynamic Frequency Selection (DFS)
- 2x2 On-board 2.4GHz radio, up to 573Mbps physical Data Rate
- 2x2 On-board 5GHz radio, up to 1201Mbps physical Data Rate



### Applications

- 802.11ax MU-MIMO OFDMA Access Point
- Mesh routers supporting EasyMesh Hotel Wireless application
- Smart AP TWT

### Product Description

DR6018 V2(CP01) based on IPQ6010 chipset is an enterprise wireless module integrated with 2x2 5G high power Radio module and 2x2 2.4G high power Radio module designed specifically to provide users with mobile access to high-bandwidth video streaming, voice, and data transmission for office and challenging RF environment in factories, warehouses establishment.

### Absolute Maximum Rating

Parameter	Rating	Unit
Supply Voltage	24V~48	V
Operating Temperature Range	-40 to +70	°C
Storage Temperature Range	-45 to +105	°C
Operating Humidity Range	5 to +95 (non-condensing)	%
Storage Humidity Range	0 to +90 (non-condensing)	%

## Hardware Specifications

Symbol	Parameter
CPU	Qualcomm-Atheros IPQ6010
CPU Frequency	Quad-core ARM 64 bit A53 @1.8 GHz processor
System Memory	1GB (2x 512MB) DDR3L 16-bit interface with 32-bit memory bus design
Ethernet Port	1 x 1Gbps Ethernet Ports & POE 3 x 1Gbps Ethernet Ports , 1x 2.5Gbps Ethernet Port,
NGFF Slot	M.2 (NGFF) “E Key” Socket with MiniPCIe 3.0
SD Card Slot	1x SD Card Slot
USB /header	1x USB 2.0 Port
POE	24V~48V passive POE/Active POE(Suport 802.3bt)
DC Jack	12V power supply
LED header	FFC/FPC Connector
Serial Port	1x Serial Port 12 Pin Connector
Wireless	On-board 2x2 2.4GHz MU-MIMO OFDMA 802.11b/g/n/ax, max 23dBm per chain On-board 2x2 5GHz MU-MIMO OFDMA 802.11a/n/ac/ax, max 20dBm per chain 4 x MMCX Connectors
Bluetooth	CSR8811 BLE 4.2
Nor Flash	32MB
Nand Flash	256MB
DDR	256MB~512MB
Dimension	185mm x 116mm

## Radio TX Specifications(5180MHz-5825MHz)

Operating Mode	Data Rate	Power		Tolerance
		1 Chain	2 Chains	
5Ghz 802.11ax HE20	MCS0	20dBm	23dbm	±2dB
	MCS1	20dBm	23dBm	±2dB
	MCS2	20dBm	23dBm	±2dB
	MCS3	20dBm	23dBm	±2dB
	MCS4	19dBm	22dBm	±2dB
	MCS5	18dBm	21dBm	±2dB
	MCS6	17dBm	20dBm	±2dB
	MCS7	16dBm	19dBm	±2dB
	MCS8	15dBm	18dBm	±2dB
	MCS9	14dBm	17dBm	±2dB
	MCS10	13dBm	16dBm	±2dB
5Ghz 802.11ax HE400	MCS0	20dBm	23dbm	±2dB
	MCS1	20dBm	23dBm	±2dB
	MCS2	20dBm	23dBm	±2dB
	MCS3	20dBm	23dBm	±2dB
	MCS4	19dBm	22dBm	±2dB
	MCS5	18dBm	21dBm	±2dB
	MCS6	17dBm	20dBm	±2dB
	MCS7	16dBm	19dBm	±2dB
	MCS8	15dBm	18dBm	±2dB
	MCS9	14dBm	17dBm	±2dB
	MCS10	13dBm	16dBm	±2dB
5Ghz 802.11ax HE80	MCS0	20dBm	23dbm	±2dB
	MCS1	20dBm	23dBm	±2dB
	MCS2	20dBm	23dBm	±2dB
	MCS3	20dBm	23dBm	±2dB
	MCS4	19dBm	22dBm	±2dB
	MCS5	18dBm	21dBm	±2dB
	MCS6	17dBm	20dBm	±2dB
	MCS7	16dBm	19dBm	±2dB
	MCS8	15dBm	18dBm	±2dB
	MCS9	14dBm	17dBm	±2dB
	MCS10	13dBm	16dBm	±2dB

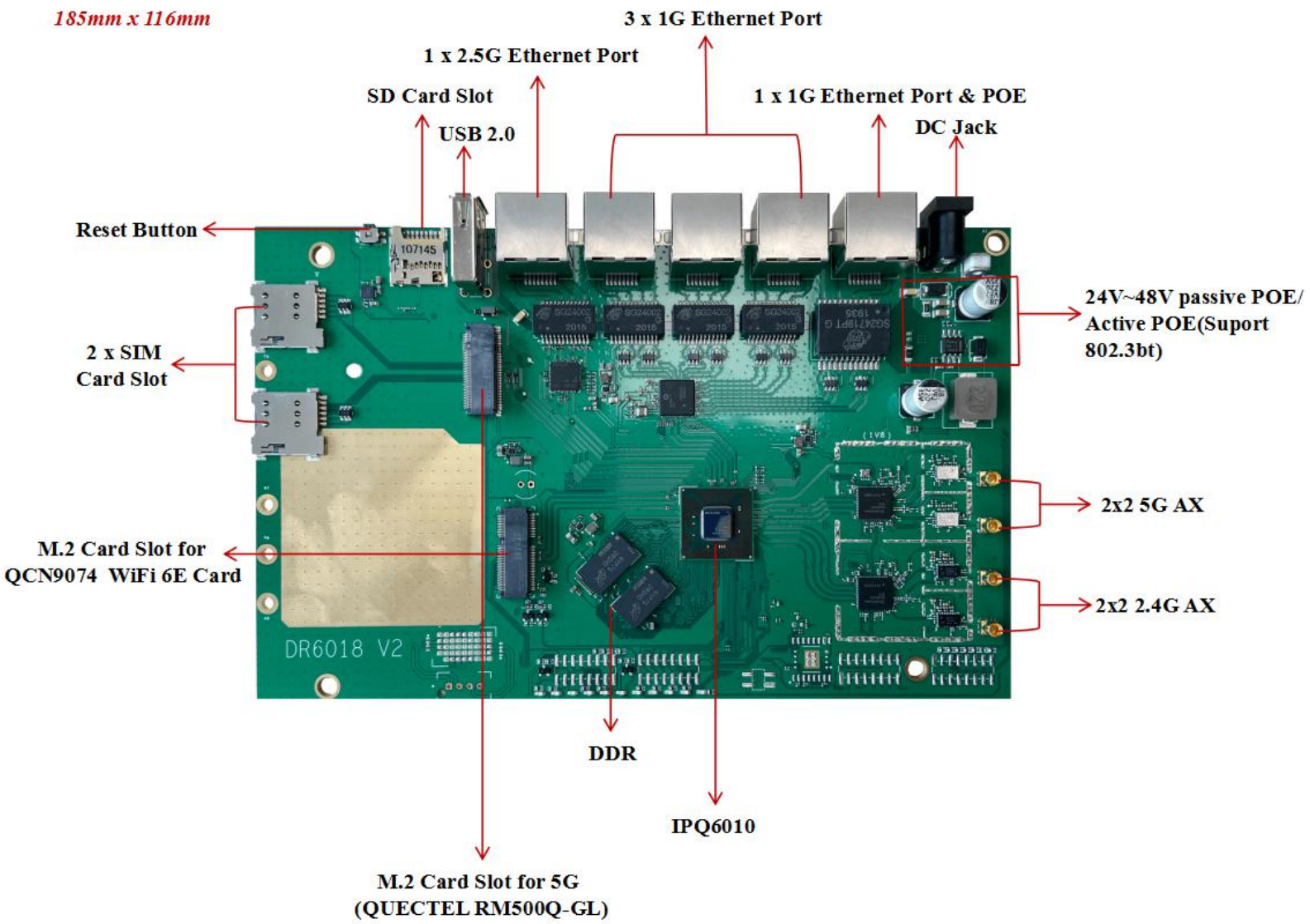
	MCS11	13dBm	16dbm	±2dB
--	-------	-------	-------	------

### Radio TX Specifications(2412MHz-2482MHz)

Operating Mode	Data Rate	Power		Tolerance
		1 Chain	2 Chains	
2.4Ghz 802.11ax HE20	MCS0	23dbm	26dbm	±2dB
	MCS1	23dBm	26dBm	±2dB
	MCS2	23dBm	26dBm	±2dB
	MCS3	23dBm	26dBm	±2dB
	MCS4	23dBm	26dBm	±2dB
	MCS5	23dBm	26dBm	±2dB
	MCS6	23dBm	26dBm	±2dB
	MCS7	22dBm	25dBm	±2dB
	MCS8	21dBm	24dBm	±2dB
	MCS9	21dBm	24dBm	±2dB
	MCS10	18dBm	21dBm	±2dB
MCS11	17dbm	20dbm	±2dB	
2.4Ghz 802.11ax HE40	MCS0	23dbm	26dbm	±2dB
	MCS1	23dBm	26dBm	±2dB
	MCS2	23dBm	26dBm	±2dB
	MCS3	23dBm	26dBm	±2dB
	MCS4	23dBm	26dBm	±2dB
	MCS5	23dBm	26dBm	±2dB
	MCS6	23dBm	26dBm	±2dB
	MCS7	22dBm	25dBm	±2dB
	MCS8	21dBm	24dBm	±2dB
	MCS9	21dBm	24dBm	±2dB
	MCS10	21dBm	24dBm	±2dB
MCS11	19dbm	22dbm	±2dB	

# Interface MAP

185mm x 116mm



## GPIO Pin Mapping

GPIO Pin Mapping			
Pin	Signal	Pin	Signal
GPIO_0	AUDIO_MUTE_BUT	GPIO_1	QPIC_BUSY_N
GPIO_2	MIC_VOL_M	GPIO_3	QPIC_WE_N
GPIO_4	QPIC_RE_N	GPIO_5	QPIC_DAT4
GPIO_6	QPIC_DAT5	GPIO_7	QPIC_DAT6
GPIO_8	QPIC_DAT7	GPIO_9	WPS
GPIO_10	QPIC_CLE_N	GPIO_11	QPIC_NAND_CE_N
GPIO_12	QPIC_DAT1	GPIO_13	QPIC_DAT2
GPIO_14	QPIC_DAT3	GPIO_15	QPIC_DAT0
GPIO_16	MIC_KPD_PWR_N	GPIO_17	QPIC_ALE
GPIO_18	KYPD_HOME_N	GPIO_19	GND
GPIO_20	Boot_Config(PULL_DOWN)	GPIO_21	MUTE_ON
GPIO_22	ADC_RST	GPIO_23	WSA_SWR_CLK
GPIO_24	WSA_SWR_DATA	GPIO_25	PWM_LED_RST
GPIO_26	Boot_Config(PULL_DOWN)	GPIO_27	WSA_EN_R
GPIO_28	WSA_EN_L	GPIO_29	PDM_CLK0
GPIO_30	PDM_DATA0	GPIO_31	PDM_CLK1
GPIO_32	PDM_DATA1	GPIO_33	EXT_MCLK2_ADC
GPIO_34	MIC_VOL_P	GPIO_35	LED_5G
GPIO_36	PCIE0_WAKE	GPIO_37	LED_2GS
GPIO_38	SPI0_CLK	GPIO_39	SPI0_CS_NI
GPIO_40	SPI0_MISO	GPIO_41	SPI0_MOSI
GPIO_42	BLSP2_SCL	GPIO_43	BLSP2_SDA
GPIO_44	BLSP2_UART_RX	GPIO_45	BLSP2_UART_TX
GPIO_46	BLSP5_SCL	GPIO_47	BLSP5_SDA
GPIO_48	NC	GPIO_49	Boot_Config(PULL_DOWN)
GPIO_50	LED_USB0	GPIO_51	BT_PRIORITY_PTA11
GPIO_52	WLA_ACTI_PTA12	GPIO_53	BT_ACT_PTA10
GPIO_54	Boot_Config(PULL_DOWN)	GPIO_55	NC
GPIO_56	NC	GPIO_57	NC

GPIO_58	NC	GPIO_59	PCIE0_CLK_REQ
GPIO_60	PCIE0_RSTn	GPIO_61	NC
GPIO_62	SD_DET	GPIO_63	SD_WP
GPIO_64	MDC	GPIO_65	MDIO
GPIO_66	SD_LDO_EN	GPIO_67	NC
GPIO_68	NC	GPIO_69	SPI_CLK_UART_RTSn
GPIO_70	SPI_CS_UART_CTSn	GPIO_71	SPI_MISO_UART_RX
GPIO_72	SPI_MOSI_UART_TX	GPIO_73	USB_OTG
GPIO_74	NC	GPIO_75	Malibu_RESET
GPIO_76	NAPA_INT0	GPIO_77	NAPA_RESET
GPIO_78	QTZ_INT	GPIO_79	QTZ_RESET

### Boot Config Switch

<b>Boot_Config Switch1(S7)</b>			
<b>Boot_Config</b>			<b>Boot up Interface Select</b>
<b>S7A</b>	<b>S7B</b>	<b>S7C</b>	
0	0	0	SPI NOR. (Default)
0	0	1	eMMC
0	1	0	QPIC, Parallel NAND
0	1	1	USB2.0
1	0	0	SPI-NOR-GPT
<b>S7D</b>			<b>Boot up Interface Select</b>
0			Boot from code ram.(Default)
1			Boot from ROM
<b>Boot_Config Switch2(S9)</b>			
<b>Boot_Config</b>			<b>Boot up Interface Select</b>
0			No auth.(Default)
1			Auth is required